

BnS Implant

BASIC & STANDARD



Derbarzt
Inspire Your Life

HELLO, WE ARE
Derbarzt Dental
Inspire Your Life

**더바츠는 Spine & Dental Implant 전문기업인
허브바이오텍의 마스터브랜드입니다.**

삶에 영감을 주는 메디컬 솔루션 더바츠를 통해 다시 찾은 삶의 가치!
의사와 환자, 그리고 더바츠가 함께 모두의 삶의 가치를 높입니다.
더바츠는 끊임없는 혁신과 도전으로 글로벌 메디컬 헬스케어 프로바이더가 되고자 합니다.
지금까지 존재했던 일반적인 메디컬 솔루션이 아닌, 월등하게 안전하고
차별화된 커스터마이징 프리미엄 솔루션을 추구합니다.
더바츠는 오늘보다 더 건강한 내일의 미래를 그릴 수 있도록
당신과 늘 함께하겠습니다.



Contents

01 BnS Implant

BnS Characteristics	2
Prosthetic Flow Diagram	3
BnS Implant Line-up	5
Cover & Abutment Screw	7
Healing Abutment	8

02 Prosthetic Options

Pick-Up Impression Coping	10
Transfer Impression Coping	11
Temporary Abutment	11
Lab Analog	12
Rigid Abutment	12
Cemented Abutment	14
Angled Abutment	17
Milling Abutment	18
Pre-Milled Abutment	19
Pre-Milled Reverse Abutment	20

BnS Implant

BASIC & STANDARD

Best N Super
The Pure & Clean Implant



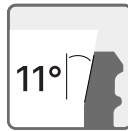
BnS Implant, **SOS** to Dentists!

- Strong Self-Tapping, 우수한 Self-Tapping!
- Osseointegration via S.L.A, 골융합 향상
- Stable Initial Stability, 안정적인 초기 고정력!



잔류산 Zero, Clean & Pure

7단계 15번 세척으로 잔류산과
오염물이 없는 깨끗한 임플란트



높은 호환성과 편의성 제공

11° Morse Tapered Connection
Submerged Type의 Hex Connection



초기고정력 확보·파절 이슈 최소화

상단부 차별화된 Thread 적용
Soft bone에서도 안정적인 초기 고정력 보장



S.L.A 표면처리로 골융합 증대

골융합 최적의 환경을 제공,
임플란트의 장기 안정성 향상



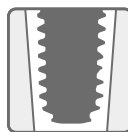
강력한 Self-Tapping 골 손상 최소화

'Cutting-edge' 디자인으로 최적의 위치
식립 가능 술자의 편의성 증대



임플란트 & 골 Stress Free

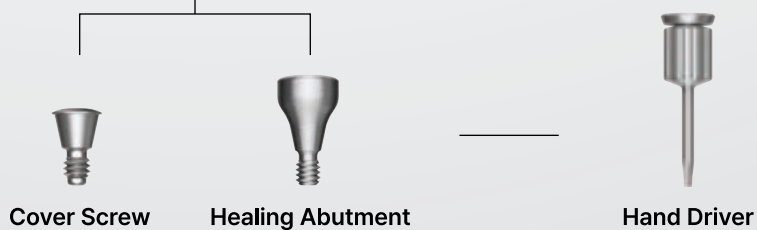
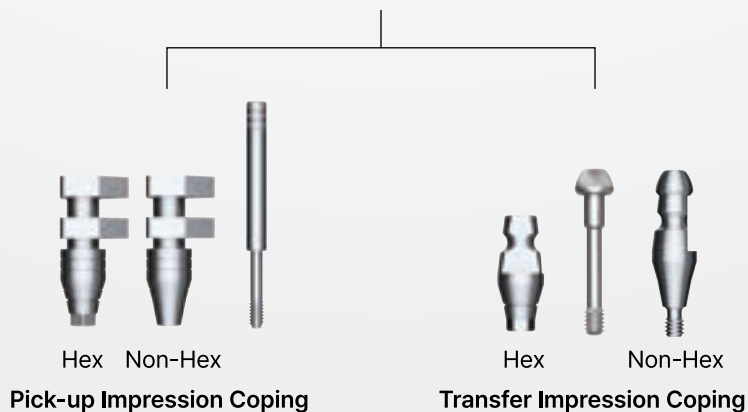
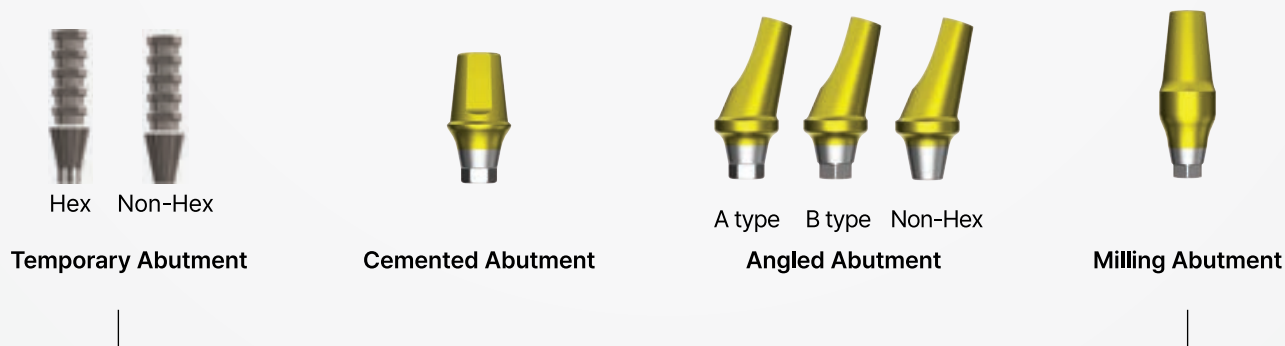
Corkscrew타입의 Thread는 응력분산을
도와 안정적 식립가능



Tapered Body 디자인으로 초기 고정력 우수

식립시 골의 저항 감소와 안정적인 초기 고정력 확보

Prosthetic Flow Diagram



01

BnS Implant

- BnS Implant
- Cover & Abutment Screw
- Healing Abutment



BnS Implant

- Cutting Edge 디자인으로 우수한 Self Tapping 효과
- 전치부에서 위치와 각도 보정이 용이하여 최적의 위치 삽입 가능
- 상단부에 적용된 Small Thread로 인해 Soft Bone에서도 즉시 부하에 필요한 초기 고정력 확보 가능
- Corkscrew Thread 디자인으로 응력분산을 도와 임플란트와 골 손상 최소화
- 최적화된 SLA 표면 처리로 뛰어난 골융합 효과
- Internal Hex와 11° Morse Tapered Connection 구조를 갖춘 Submerged Type 임플란트
- 탁월한 초기 고정력을 제공하는 Taper Body 디자인
- 상단 Open Thread 형태로 식립 시 깊이 조절 용이
- 최적화된 Apex Design으로 발치와 하단 3mm에서도 안정적인 초기 고정력 확보

※ 구치부 단일 케이스에서는 직경 4.5mm 이상의 임플란트 사용을 권장



BnS Implant Specification Summary

Size	Mini	Regular
Diameter	Ø3.5	Ø4.0, Ø4.5, Ø5.0, Ø6.0, Ø7.0
Hex	2.1	2.5
Length	8.5, 10, 11.5, 13, 15	7, 8.5, 10, 11.5, 13, 15


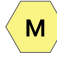
Image	Size	Diameter	Hex	Color Code	Length	Order Code
	Mini	Ø3.5	2.1		8.5	BNS3508C
					10	BNS3510C
					11.5	BNS3511C
					13	BNS3513C
					15	BNS3515C

Image	Size	Diameter	Hex	Color Code	Length	Order Code
	Regular	Ø4.0	2.5		7	BNS4007C
					8.5	BNS4008C
					10	BNS4010C
					11.5	BNS4011C
					13	BNS4013C
					15	BNS4015C




Image	Size	Diameter	Hex	Color Code	Length	Order Code
	Regular	D Ø4.5	2.5		7	BNS4507C
					8.5	BNS4508C
					10	BNS4510C
					11.5	BNS4511C
					13	BNS4513C
					15	BNS4515C

Image	Size	Diameter	Hex	Color Code	Length	Order Code
	Regular	Ø5.0	2.5		7	BNS5007C
					8.5	BNS5008C
					10	BNS5010C
					11.5	BNS5011C
					13	BNS5013C
					15	BNS5015C

Image	Size	Diameter	Hex	Color Code	Length	Order Code
	Regular	Ø6.0	2.5		7	BNS6007C
					8.5	BNS6008C
					10	BNS6010C
					11.5	BNS6011C
					13	BNS6013C
					15	BNS6015C

Image	Size	Diameter	Hex	Color Code	Length	Order Code
	Regular	Ø7.0	2.5		7	BNS7007C
					8.5	BNS7008C
					10	BNS7010C
					11.5	BNS7011C
					13	BNS7013C
					15	BNS7015C

Cover Screw

- Implant 식립 깊이에 따라 높이(H) 선택
- Ø3.5 implant는 전용 cover screw 사용
- 1.2 hex driver로 손 힘으로 체결





Image	Size	Diameter	Hex	Height	Order Code
	Mini	Ø3.5	1.2	0.4	BNSCS35
				1.4	BNSCS35M
				2.0	BNSCS35L

Image	Size	Diameter	Hex	Height	Order Code
	Regular	Ø4.0	1.2	0.4	BNSCS40SG
				1.4	BNSCS40MG
				2.0	BNSCS40LG

Abutment Screw

Size	Order Code
Mini	BNSABSM
Regular	BNSABSS



Healing Abutment

- Ø3.5 이하 implant는 mini 사양 사용
- 1.2 hex driver로 손 힘으로 체결

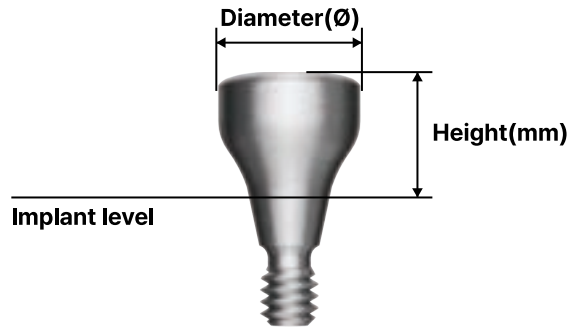




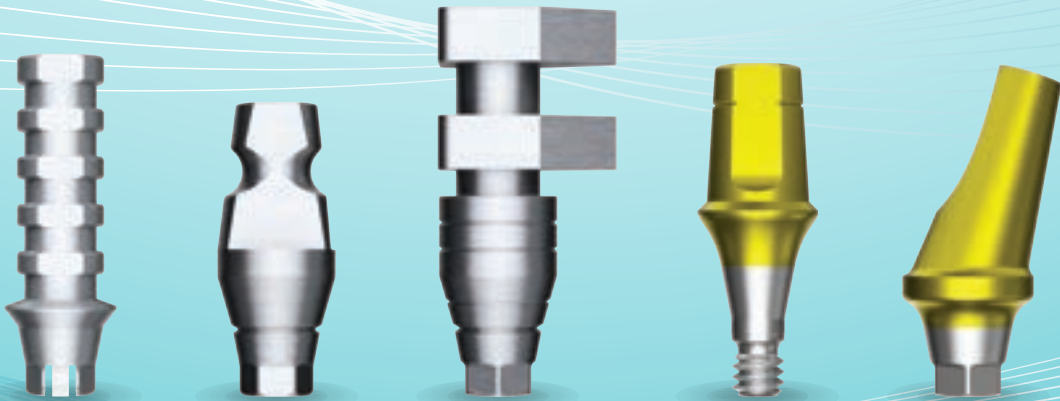
Image	Size	D	H	3.0	4.0	5.0	6.0	7.0	8.0	9.0
	Mini	Ø4.0		BNSHA403M	BNSHA404M	BNSHA405M	BNSHA406M	BNSHA407M	BNSHA408M	BNSHA409M
		Ø4.5		BNSHA453M	BNSHA454M	BNSHA455M	BNSHA456M	BNSHA457M	BNSHA458M	BNSHA459M

Image	Size	D	H	3.0	4.0	5.0	6.0	7.0	8.0	9.0
	Regular	Ø4.0		BNSHA403R	BNSHA404R	BNSHA405R	BNSHA406R	BNSHA407R	BNSHA408R	BNSHA409R
		Ø4.5		BNSHA453R	BNSHA454R	BNSHA455R	BNSHA456R	BNSHA457R	BNSHA458R	BNSHA459R
		Ø5.0		BNSHA503R	BNSHA504R	BNSHA505R	BNSHA506R	BNSHA507R	BNSHA508R	BNSHA509R
		Ø6.0		BNSHA603R	BNSHA604R	BNSHA605R	BNSHA606R	BNSHA607R	BNSHA608R	BNSHA609R
		Ø7.0		BNSHA703R	BNSHA704R	BNSHA705R	BNSHA706R	BNSHA707R	BNSHA708R	BNSHA709R
		Ø8.0				BNSHA805R				

02

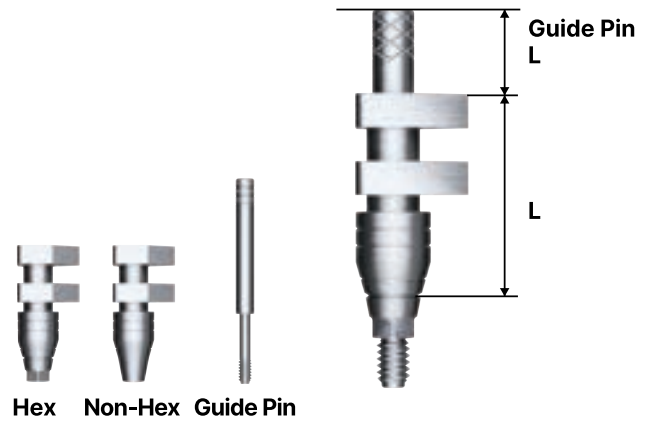
Prosthetic Options

- Pick-Up Impression Coping
- Transfer Impression Coping
- Temporary Abutment
- Lab Analog
- Rigid Abutment
- Cemented Abutment
- Angled Abutment
- Milling Abutment
- Pre-Milled Abutment
- Pre-Milled Reverse Abutment



Pick-Up Impression Coping

- Implant Level 인상채득용 components
- Open Tray 이용
- 인상체 내에서 안정적으로 고정되는 디자인
- 1.2 Hex Driver를 이용해 손 힘으로 체결
- Packing unit : Impression Coping body(1ea) + Guide Pin*(1ea)



Impression Coping body

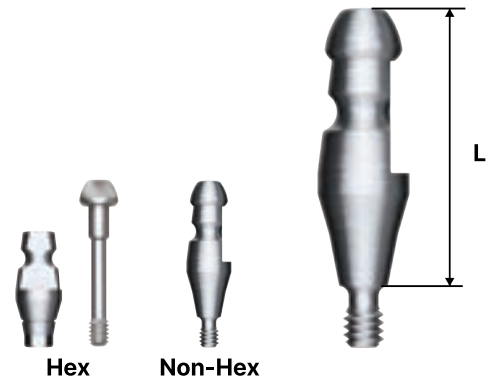
Length	Size	Diameter	Hex	Non-Hex
12	Mini	Ø4.0	BNSPIM4012	BNSPIM4012N
		Ø4.5	BNSPIM4512	BNSPIM4512N
	Regular	Ø4.0	BNSPIS4012	BNSPIS4012N
		Ø4.5	BNSPIS4512	BNSPIS4512N
		Ø5.0	BNSPIS5012	BNSPIS5012N
		Ø6.0	BNSPIS6012	BNSPIS6012N
15	Mini	Ø4.0	BNSPIM4015	BNSPIM4015N
		Ø4.5	BNSPIM4515	BNSPIM4515N
	Regular	Ø4.0	BNSPIS4015	BNSPIS4015N
		Ø4.5	BNSPIS4515	BNSPIS4515N
		Ø5.0	BNSPIS5015	BNSPIS5015N
		Ø6.0	BNSPIS6015	BNSPIS6015N
		Ø7.0	BNSPIS7015	BNSPIS7015N

Guide Pin

Length	Size	0	5.0	9.0
12	Mini	BNSPGPM100	BNSPGPM150(*)	BNSPGPM150L
	Regular	BNSPGPR100	BNSPGPR150(*)	BNSPGPR150L
15	Mini	BNSPGPM100L	BNSPGPM150L(*)	BNSPGPM200L
	Regular	BNSPGPR100L	BNSPGPR150L(*)	BNSPGPR200L

Transfer Impression Coping

- Implant Level 인상채득용 components
- Closed Tray 이용
- 안정적인 체결감 및 정확한 재위치가 가능한 삼각 원호 구조
- 1.2 Hex Driver를 이용해 손 힘으로 체결
- Packing unit
 Hex : Impression Coping Body(1ea) + Guide Pin(1ea)
 Non-Hex : Impression Coping(1ea)

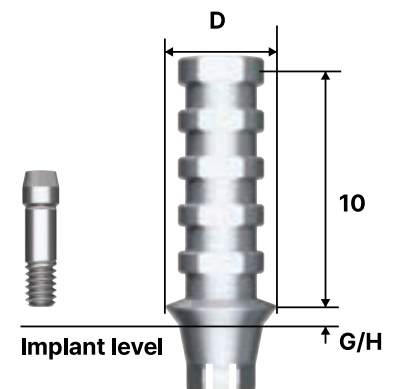


Length	Size	Diameter	Hex	Non-Hex
11	Mini	Ø4.0	BNSTIM4011	BNSTIM4011N
		Ø4.5	BNSTIM4511	BNSTIM4511N
	Regular	Ø4.0	BNSTIS4011	BNSTIS4011N
		Ø4.5	BNSTIS4511	BNSTIS4511N
		Ø5.0	BNSTIS5011	BNSTIS5011N
		Ø6.0	BNSTIS6011	BNSTIS6011N
		Ø7.0	BNSTIS7011	BNSTIS7011N
14	Mini	Ø4.0	BNSTIM4014	BNSTIM4014N
		Ø4.5	BNSTIM4514	BNSTIM4514N
	Regular	Ø4.0	BNSTIS4014	BNSTIS4014N
		Ø4.5	BNSTIS4514	BNSTIS4514N
		Ø5.0	BNSTIS5014	BNSTIS5014N
		Ø6.0	BNSTIS6014	BNSTIS6014N
		Ø7.0	BNSTIS7014	BNSTIS7014N

Temporary Abutment

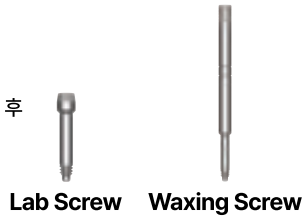
- Cement/screw 유지형 보철 제작용 abutment
- 삭제하여 임시 보철물 제작에 사용 (Ti Gr-3)
- Implant level impression
- 1.2 hex driver로 체결
- 권장 조임 토크 : 20Ncm(mini/regular)
- Packing unit : Abutment(1ea) + Abutment screw(1ea)

Diameter	Size	1.0		3.0	
		Hex	Non-Hex	Hex	Non-Hex
Ø4.0	Mini	BNSTTA4010	BNSTTA4010N	BNSTTA4030	BNSTTA4030N
Ø4.5	Regular	BNSTTA4510	BNSTTA4510N	BNSTTA4530	BNSTTA4530N



Laboratory Screw

- Lab Screw : 기공 작업용 abutment screw
- Waxing Screw : screw hole을 상방까지 연장 후 screw type 보철, transfer jig 제작시 사용
- Packing unit : Lab Screw(1ea) + Waxing Screw(1ea)



Lab Analog

- Implant level impression용 lab analog
- Implant 직경 Ø3.5/4.0 이상으로 구분하여 사용



Size	Lab Screw	Waxing Screw
Mini	BNSABSML	BNSABSMW
Regular	BNSABSSL	BNSABSSW

Size	Diameter	Order Code
Mini	Ø3.5	BNSTLA350
Regular	Ø4.0	BNSTLA400

Rigid Abutment

- Cement 유지형 보철 제작용 abutment
- Abutment level impression
- Ø4.0 : outer driver로 체결
- Ø4.5/5.0/6.0 : outer driver 또는 1.2 hex driver로 체결
- Ø7.0 : 1.2 hex driver로 체결
- 권장 조임 토크 : 30Ncm

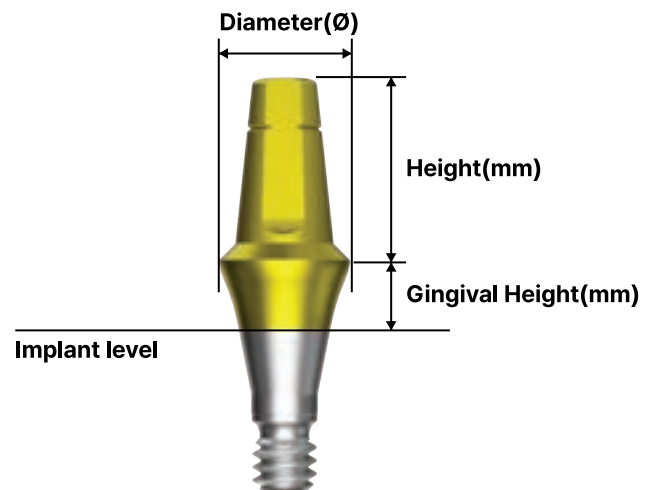


Image	Size	D	H / G/H	1.0	2.0	3.0	4.0	5.0
	Mini	Ø4.0	4.0	BNSRA4410	BNSRA4420	BNSRA4430	BNSRA4440	BNSRA4450
			5.5	BNSRA4610	BNSRA4620	BNSRA4630	BNSRA4640	BNSRA4650
			7.0	BNSRA4710	BNSRA4720	BNSRA4730	BNSRA4740	BNSRA4750

Image	Size	D	H / G/H	1.0	2.0	3.0	4.0	5.0
	Mini	Ø4.5	4.0	BNSRA4411	BNSRA4421	BNSRA4431	BNSRA4441	BNSRA4451
			5.5	BNSRA4611	BNSRA4621	BNSRA4631	BNSRA4641	BNSRA4651
			7.0	BNSRA4711	BNSRA4721	BNSRA4731	BNSRA4741	BNSRA4751


Image	Size	D	H \ G/H	1.0	2.0	3.0	4.0	5.0
	Regular	Ø4.0	4.0	BNSRAS4410	BNSRAS4420	BNSRAS4430	BNSRAS4440	BNSRAS4450
			5.5	BNSRAS4610	BNSRAS4620	BNSRAS4630	BNSRAS4640	BNSRAS4650
			7.0	BNSRAS4710	BNSRAS4720	BNSRAS4730	BNSRAS4740	BNSRAS4750


Image	Size	D	H \ G/H	1.0	2.0	3.0	4.0	5.0
	Regular	Ø4.5	4.0	BNSRAS4411	BNSRAS4421	BNSRAS4431	BNSRAS4441	BNSRAS4451
			5.5	BNSRAS4611	BNSRAS4621	BNSRAS4631	BNSRAS4641	BNSRAS4651
			7.0	BNSRAS4711	BNSRAS4721	BNSRAS4731	BNSRAS4741	BNSRAS4751


Image	Size	D	H \ G/H	1.0	2.0	3.0	4.0	5.0
	Regular	Ø5.0	4.0	BNSRA5410	BNSRA5420	BNSRA5430	BNSRA5440	BNSRA5450
			5.5	BNSRA5610	BNSRA5620	BNSRA5630	BNSRA5640	BNSRA5650
			7.0	BNSRA5710	BNSRA5720	BNSRA5730	BNSRA5740	BNSRA5750



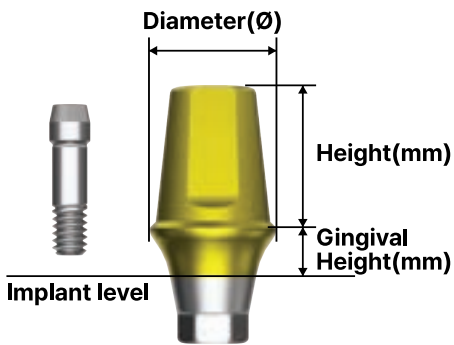
Image	Size	D	H \ G/H	1.0	2.0	3.0	4.0	5.0
	Regular	Ø6.0	4.0	BNSRA6410	BNSRA6420	BNSRA6430	BNSRA6440	BNSRA6450
			5.5	BNSRA6610	BNSRA6620	BNSRA6630	BNSRA6640	BNSRA6650
			7.0	BNSRA6710	BNSRA6720	BNSRA6730	BNSRA6740	BNSRA6750

Image	Size	D	H \ G/H	1.0	2.0	3.0	4.0	5.0
	Regular	Ø7.0	5.5	BNSRA7610	BNSRA7620	BNSRA7630	BNSRA7640	BNSRA7650

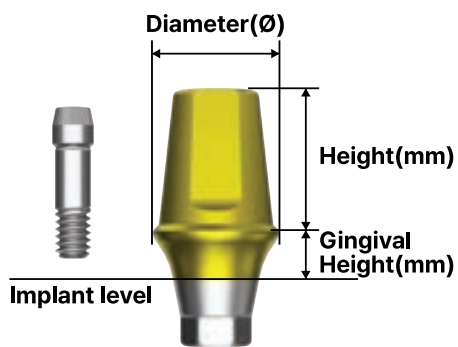
Cemented Abutment

- Cement/combination 유지형 보철 제작용 abutment
- 1.2 hex driver로 체결
- 권장 조임 토크 : 20Ncm(Mini), 30Ncm(Regular)
- Packing unit : Abutment(1ea) + Abutment screw(1ea)



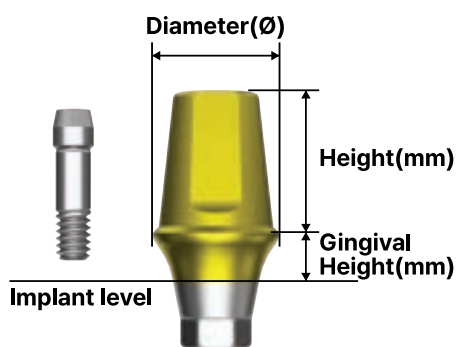
Size	D	H	G/H	Hex	Non-Hex
Mini	Ø4.0	4	1	BNSCA4412	BNSCA4412N
			2	BNSCA4422	BNSCA4422N
			3	BNSCA4432	BNSCA4432N
			4	BNSCA4442	BNSCA4442N
			5	BNSCA4452	BNSCA4452N
			6	BNSCA4462	BNSCA4462N
			7	BNSCA4472	BNSCA4472N
		5.5	1	BNSCA4612	BNSCA4612N
			2	BNSCA4622	BNSCA4622N
			3	BNSCA4632	BNSCA4632N
			4	BNSCA4642	BNSCA4642N
			5	BNSCA4652	BNSCA4652N
			6	BNSCA4662	BNSCA4662N
			7	BNSCA4672	BNSCA4672N
		7	1	BNSCA4712	BNSCA4712N
			2	BNSCA4722	BNSCA4722N
			3	BNSCA4732	BNSCA4732N
			4	BNSCA4742	BNSCA4742N
			5	BNSCA4752	BNSCA4752N
			6	BNSCA4762	BNSCA4762N
			7	BNSCA4772	BNSCA4772N

Size	D	H	G/H	Hex	Non-Hex
Mini	Ø4.5	4	1	BNSCA4411	BNSCA4411N
			2	BNSCA4421	BNSCA4421N
			3	BNSCA4431	BNSCA4431N
			4	BNSCA4441	BNSCA4441N
			5	BNSCA4451	BNSCA4451N
			6	BNSCA4461	BNSCA4461N
			7	BNSCA4471	BNSCA4471N
		5.5	1	BNSCA4611	BNSCA4611N
			2	BNSCA4621	BNSCA4621N
			3	BNSCA4631	BNSCA4631N
			4	BNSCA4641	BNSCA4641N
			5	BNSCA4651	BNSCA4651N
			6	BNSCA4661	BNSCA4661N
			7	BNSCA4671	BNSCA4671N
		7	1	BNSCA4711	BNSCA4711N
			2	BNSCA4721	BNSCA4721N
			3	BNSCA4731	BNSCA4731N
			4	BNSCA4741	BNSCA4741N
			5	BNSCA4751	BNSCA4751N
			6	BNSCA4761	BNSCA4761N
			7	BNSCA4771	BNSCA4771N



Size	D	H	G/H	Hex	Non-Hex
Regular	Ø4.5	4	1	BNSCAS4411	BNSCAS4411N
			2	BNSCAS4421	BNSCAS4421N
			3	BNSCAS4431	BNSCAS4431N
			4	BNSCAS4441	BNSCAS4441N
			5	BNSCAS4451	BNSCAS4451N
			6	BNSCAS4461	BNSCAS4461N
			7	BNSCAS4471	BNSCAS4471N
		5.5	1	BNSCAS4611	BNSCAS4611N
			2	BNSCAS4621	BNSCAS4621N
			3	BNSCAS4631	BNSCAS4631N
			4	BNSCAS4641	BNSCAS4641N
			5	BNSCAS4651	BNSCAS4651N
			6	BNSCAS4661	BNSCAS4661N
			7	BNSCAS4671	BNSCAS4671N
		7	1	BNSCAS4711	BNSCAS4711N
			2	BNSCAS4721	BNSCAS4721N
			3	BNSCAS4731	BNSCAS4731N
			4	BNSCAS4741	BNSCAS4741N
			5	BNSCAS4751	BNSCAS4751N
			6	BNSCAS4761	BNSCAS4761N
			7	BNSCAS4771	BNSCAS4771N

Size	D	H	G/H	Hex	Non-Hex
Regular	Ø5.0	4	1	BNSCA5410	BNSCA5410N
			2	BNSCA5420	BNSCA5420N
			3	BNSCA5430	BNSCA5430N
			4	BNSCA5440	BNSCA5440N
			5	BNSCA5450	BNSCA5450N
			6	BNSCA5460	BNSCA5460N
			7	BNSCA5470	BNSCA5470N
		5.5	1	BNSCA5610	BNSCA5610N
			2	BNSCA5620	BNSCA5620N
			3	BNSCA5630	BNSCA5630N
			4	BNSCA5640	BNSCA5640N
			5	BNSCA5650	BNSCA5650N
			6	BNSCA5660	BNSCA5660N
			7	BNSCA5670	BNSCA5670N
		7	1	BNSCA5710	BNSCA5710N
			2	BNSCA5720	BNSCA5720N
			3	BNSCA5730	BNSCA5730N
			4	BNSCA5740	BNSCA5740N
			5	BNSCA5750	BNSCA5750N
			6	BNSCA5760	BNSCA5760N
			7	BNSCA5770	BNSCA5770N

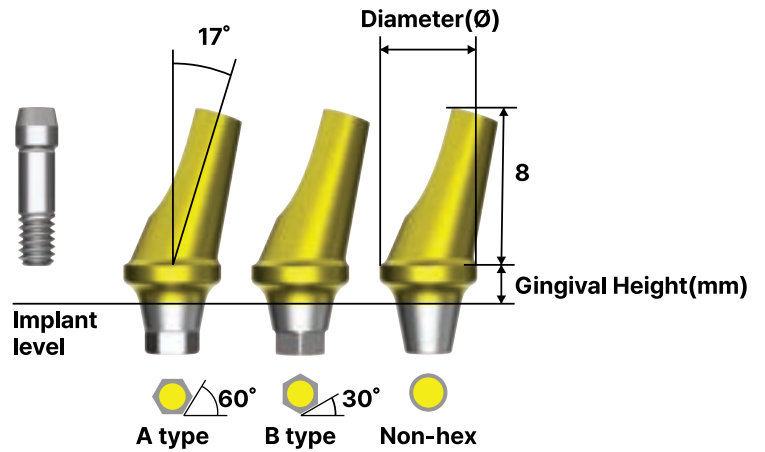


Size	D	H	G/H	Hex	Non-Hex
Regular	Ø6.0	4	1	BNSCA6410	BNSCA6410N
			2	BNSCA6420	BNSCA6420N
			3	BNSCA6430	BNSCA6430N
			4	BNSCA6440	BNSCA6440N
			5	BNSCA6450	BNSCA6450N
			6	BNSCA6460	BNSCA6460N
			7	BNSCA6470	BNSCA6470N
		5.5	1	BNSCA6610	BNSCA6610N
			2	BNSCA6620	BNSCA6620N
			3	BNSCA6630	BNSCA6630N
			4	BNSCA6640	BNSCA6640N
			5	BNSCA6650	BNSCA6650N
			6	BNSCA6660	BNSCA6660N
			7	BNSCA6670	BNSCA6670N
		7	1	BNSCA6710	BNSCA6710N
			2	BNSCA6720	BNSCA6720N
			3	BNSCA6730	BNSCA6730N
			4	BNSCA6740	BNSCA6740N
			5	BNSCA6750	BNSCA6750N
			6	BNSCA6760	BNSCA6760N
			7	BNSCA6770	BNSCA6770N

Size	D	H	G/H	Hex	Non-Hex
Regular	Ø7.0	4	1	BNSCA7410	BNSCA7410N
			2	BNSCA7420	BNSCA7420N
			3	BNSCA7430	BNSCA7430N
			4	BNSCA7440	BNSCA7440N
			5	BNSCA7450	BNSCA7450N
			6	BNSCA7460	BNSCA7460N
			7	BNSCA7470	BNSCA7470N
		5.5	1	BNSCA7610	BNSCA7610N
			2	BNSCA7620	BNSCA7620N
			3	BNSCA7630	BNSCA7630N
			4	BNSCA7640	BNSCA7640N
			5	BNSCA7650	BNSCA7650N
			6	BNSCA7660	BNSCA7660N
			7	BNSCA7670	BNSCA7670N
		7	1	BNSCA7710	BNSCA7710N
			2	BNSCA7720	BNSCA7720N
			3	BNSCA7730	BNSCA7730N
			4	BNSCA7740	BNSCA7740N
			5	BNSCA7750	BNSCA7750N
			6	BNSCA7760	BNSCA7760N
			7	BNSCA7770	BNSCA7770N

Angled Abutment

- Cement/combination 유지형 보철 제작용 abutment
- 23°까지 삭제없이 implant 식립 각도 보상
- Implant level impression
- 1.2 hex driver로 체결
- 권장 조임 토크 : 20Ncm(mini), 30Ncm(regular)
- Packing unit : Abutment(1ea) + Abutment screw(1ea)

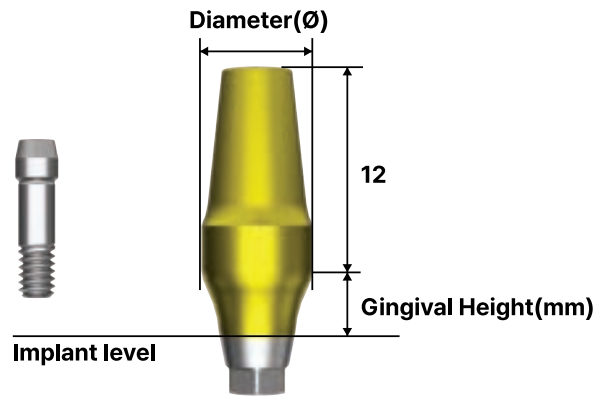


Size	Diameter	G/H	A type	B type	Non-Hex
Mini	Ø4.0	2.0	BNSAA4020MA	BNSAA4020MB	BNSAA4020MN
		3.0	BNSAA4030MA	BNSAA4030MB	BNSAA4030MN
		4.0	BNSAA4040MA	BNSAA4040MB	BNSAA4040MN
	Ø4.5	2.0	BNSAA4520MA	BNSAA4520MB	BNSAA4520MN
		3.0	BNSAA4530MA	BNSAA4530MB	BNSAA4530MN
		4.0	BNSAA4540MA	BNSAA4540MB	BNSAA4540MN

Size	Diameter	G/H	A type	B type	Non-Hex
Regular	Ø4.5	2.0	BNSAA4520A	BNSAA4520B	BNSAA4520N
		3.0	BNSAA4530A	BNSAA4530B	BNSAA4530N
		4.0	BNSAA4540A	BNSAA4540B	BNSAA4540N
	Ø5.0	2.0	BNSAA5020A	BNSAA5020B	BNSAA5020N
		3.0	BNSAA5030A	BNSAA5030B	BNSAA5030N
		4.0	BNSAA5040A	BNSAA5040B	BNSAA5040N
	Ø6.0	2.0	BNSAA6020A	BNSAA6020B	BNSAA6020N
		3.0	BNSAA6030A	BNSAA6030B	BNSAA6030N
		4.0	BNSAA6040A	BNSAA6040B	BNSAA6040N

Milling Abutment

- Cement/combination 유지형 보철 제작용 abutment
- Abutment의 마진 형태 수정시 사용
- Implant level impression
- 1.2 hex driver로 체결
- 권장 조임 토크 : 20Ncm(mini), 30Ncm(regular)
- Packing unit : Abutment(1ea) + Abutment Screw(1ea)



Size	Diameter	G/H	Hex	Non-Hex
Mini	Ø4.0	1.5	BNSFAM4015	BNSFAM4015N
		3.0	BNSFAM4030	BNSFAM4030N

Size	Diameter	G/H	Hex	Non-Hex
Regular	Ø5.0 Straight	1.5	BNSFAS5015	BNSFAS5015N
		3.0	BNSFAS5030	BNSFAS5030N
	Ø4.0	1.5	BNSFA4015	BNSFA4015N
		3	BNSFA4030	BNSFA4030N
	Ø5.0	1.5	BNSFA5015	BNSFA5015N
		3	BNSFA5030	BNSFA5030N
	Ø6.0	1.5	BNSFA6015	BNSFA6015N
		3	BNSFA6030	BNSFA6030N
	Ø7.0	1.5	BNSFA7015	BNSFA7015N
		3	BNSFA7030	BNSFA7030N

Pre-Milled Abutment

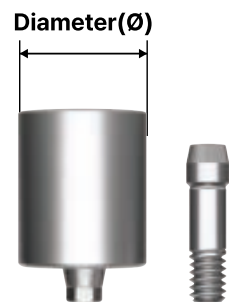
- 기공용 밀링 장비로 custom abutment 제작
- Arum, Cameleon, Manix 등 다양한 밀링 장비 전용 라인업
- Packing unit : abutment(1ea) + Abutment Screw(2ea)



Equipment	Size	Diameter	Type	Order Code	
<ul style="list-style-type: none"> • ARUM • lmes-icore • Dental plus 	Mini	Ø10	Hex	BNSPM10ARM	
		Ø10	Non-Hex	BNSPM10ARMN	
	Regular	Ø10	Hex	BNSPM10ARR	
		Ø10	Non-Hex	BNSPM10ARRN	
	Mini	Ø14	Hex	BNSPM14ARM	
		Ø14	Non-Hex	BNSPM14ARMN	
	Regular	Ø14	Hex	BNSPM14ARR	
		Ø14	Non-Hex	BNSPM14ARRN	
	<ul style="list-style-type: none"> • Cameleon (Neo Biotech) 	Mini	Ø10	Hex	BNSPM10CAM
			Ø10	Non-Hex	BNSPM10CAMN
		Regular	Ø10	Hex	BNSPM10CAR
			Ø10	Non-Hex	BNSPM10CARN
Mini		Ø14	Hex	BNSPM14CAM	
		Ø14	Non-Hex	BNSPM14CAMN	
Regular		Ø14	Hex	BNSPM14CAR	
		Ø14	Non-Hex	BNSPM14CARN	
<ul style="list-style-type: none"> • Manix 		Mini	Ø10	Hex	BNSPM10MXM
			Ø10	Non-Hex	BNSPM10MXMN
		Regular	Ø10	Hex	BNSPM10MXR
			Ø10	Non-Hex	BNSPM10MXRN
	Mini	Ø14	Hex	BNSPM14MXM	
		Ø14	Non-Hex	BNSPM14MXMN	
	Regular	Ø14	Hex	BNSPM14MXR	
		Ø14	Non-Hex	BNSPM14MXRN	

Pre-Milled Reverse Abutment

- 기공용 밀링 장비로 custom abutment 제작
- Packing unit : abutment(1ea) + Abutment Screw(2ea)







Equipment	Size	Diameter	Type	Order Code	
Reverse 12mm	Mini	Ø10	Hex	BNSPMR1012M	
		Ø10	Non-Hex	BNSPMR1012MN	
	Regular	Ø10	Hex	BNSPMR1012R	
		Ø10	Non-Hex	BNSPMR1012RN	
	Mini	Ø14	Hex	BNSPMR1412M	
		Ø14	Non-Hex	BNSPMR1412MN	
	Regular	Ø14	Hex	BNSPMR1412R	
		Ø14	Non-Hex	BNSPMR1412RN	
	Reverse 17mm	Mini	Ø10	Hex	BNSPMR1017M
			Ø10	Non-Hex	BNSPMR1017MN
		Regular	Ø10	Hex	BNSPMR1017R
			Ø10	Non-Hex	BNSPMR1017RN
Mini		Ø14	Hex	BNSPMR1417M	
		Ø14	Non-Hex	BNSPMR1417MN	
Regular		Ø14	Hex	BNSPMR1417R	
		Ø14	Non-Hex	BNSPMR1417RN	



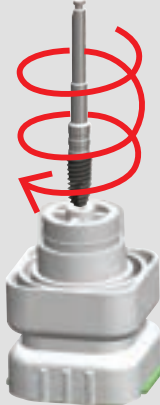

Implant Ampule 사용자 가이드

BnS Implant는 임플란트와 고정핀이 일체형으로 설계된 **Air-Floating 타입의 앰플로**, 임플란트를 사선으로 회전시켜 분리하는 방식입니다. 임플란트가 앰플 내부와 직접 접촉하지 않아 외부 오염원을 효과적으로 차단하며, 최상의 무균 상태를 유지하는 더욱 깨끗한 임플란트입니다.

I Implant Ampule 구성

			
	<p>Implant</p>	<p>Ampule Cap</p>	<p>Ampule Cap Cover</p>

I Implant Ampule 사용법

	<p>①</p> 	<p>②</p> 	<p>③</p> 
	<p>Implant Driver를 체결</p>	<p>Engine 식립 모드로 회전</p>	<p>식립</p>

Derbarzt

